

Identify each part of the Compound Microscope & write down its function.

13. Ocular (eyepiece)

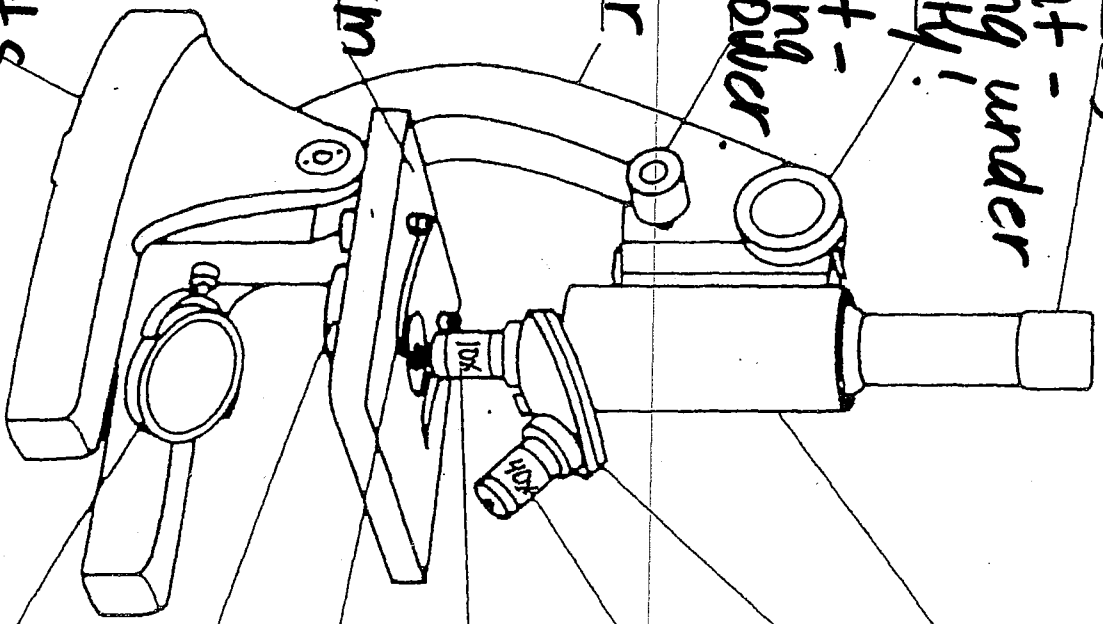
Coarse Adjustment - used for focusing under

12. low power ONLY!

10. Fine adjustment - used for focusing under high power.

9. Arm - used for carrying.

4. Stage - platform on which the specimen is mounted.



11. Body tube - holds the lenses.

8. Nosepiece - rotates the objective lenses.

7. High power objective (40x)

6. Low power objective (10x)

5. Stage clips - holds the slide in place.

3. Diaphragm - controls the amount of light that reaches specimen.

2. Mirror - reflects light onto the specimen.

1. Base - supports the microscope.

Word Bank:

Total magnification = ocular \times objective

- mirror
- Ocular (eyepiece)
- body tube
- coarse adjustment
- diaphragm
- stage clip
- high-power objective
- low power objective
- fine adjustment