

STUDENT MICROSCOPES.

STANDARD LIGHT MICROSCOPE.*

BASE_A

PILLAR_B

ARM_C

STAGE_D

SLIDE_E

COVER GLASS_F

STAGE CLIPS_G

LIGHT PATH_H

CONCAVE MIRROR_I

LOW-POWER OBJECTIVE LENS_J

HIGH-POWER OBJECTIVE LENS_K

TUBE_L

EYEPIECE/OCULAR_M

CONTROLS_N

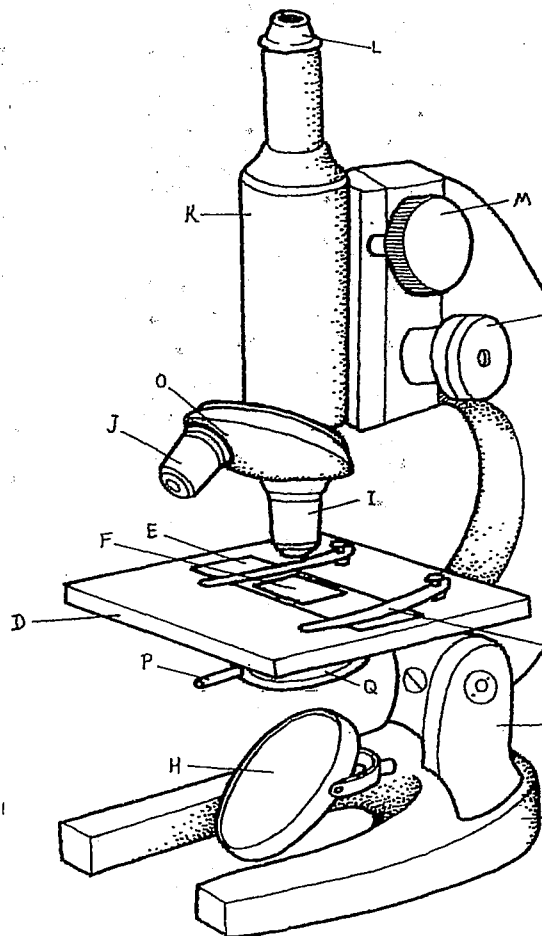
COARSE ADJUSTMENT KNOB_O

FINE ADJUSTMENT KNOB_P

NOSEPIECE_Q

IRIS DIAPHRAGM LEVER_R

IRIS DIAPHRAGM OPEN/
CLOSED_S



Complete the following sentences:

- The microscope should be carried by its _____ and _____.
- Specimens are supported on a _____, then placed on the stage.
- Specimens are usually covered by a thin piece of glass called a _____.
- The slide is held down by _____.
- The _____ concentrates light onto the specimen mounted on the _____.
- The low power objective has a magnification of _____ X.
- The high power objective has a magnification of _____ X.
- The eyepiece (ocular) also has a magnification, usually _____ X.
- The _____ is used to rotate from one objective to the other.
- The _____ operates the light path through the center of the specimen.